

# CLASSIFIED

Western New York States Largest Weekly Circulation Classified Marketplace

\$1.50 for 10 words, 10c a word after the first 10 words. Deadline — Friday at noon for next Wednesday's paper. CLASSIFIED ADS MUST BE ACCOMPANIED BY CHECK OR MONEY ORDER. Send to: Courier-Journal Want Ad Dept., 67 Chestnut Street, Rochester, N.Y. 14604.

### AQUARIUMS

TROPICAL FISH, Pet Supplies. CARROLL'S, 1652 St. Paul, 342-8660.

### AUTOMOTIVE

CARS BOUGHT — Sold, traded. Junkers wanted, \$10-15. Complete auto repairs. PALIS BROS., 510 Hudson Avenue, 232-9490.

USED CARS: Wholesale and retail, bought and sold. Vella Ford, Bergen, 494-1088.

BODY & FENDER work. Painting. Nowak's Collision, 1343 Hudson Ave. 467-2624.

### COME TO PETZNER'S COLLISION INC.

FOR FAIR PRICES! Dependable service since 1948. Quality work. All makes, models, glass replacements, insurance estimates. 2485 Dewey Ave. 663-3172

### Bob's Garage Door Service

New Doors Installed Old Doors Repaired Springs, Cables & Sections 254-7470

John Vallone TRANSMISSION SERVICE  
Veterans Garage  
(Under New Ownership)  
Fast Service — Lowest Prices

Daily 7:30-5:30  
Sat. 'til 1, Eves by Appt.  
1647 N. Clinton Ave.  
30 Ft. South of Keeler Exp.

Transmission Doctor  
544-5020 No Ans. 671-5104

for Auto SPRINGS it's VINNY'S  
1358 East Ridge Rd. — 266-9509

SAVE DOLLARS WITH REBUILT SPRINGS  
HALF THE COST OF NEW SPRINGS

AWNINGS & CANOPIES  
CANVAS AWNINGS New or Recovered. Canvas Campers repaired: reconditioned. Zippers & screens replaced. Wm. C. Forster, 85 Aldrich Rd., Fairport, 223-4755.

### BUSINESS OPPORTUNITIES

EARN MONEY for your organization or FREE solid copper for yourself. Invite your friends, neighbors, relatives. Have a Copper by candlelight show. Call Copper Craft Guild — 426-2305.

### BUSINESS SERVICES

BOOKKEEPING SERVICES — commercial, professional, retail. Inquire anytime after 6:00 p.m. 254-6010

### CARPENTRY WORK

CARPENTER Work — Additions, porch enclosures, paneling, doors & windows, electrical work. 28 years experience. Prompt, free estimates. Check our reputation. DiNapoli Bros. Call Anytime. 225-7681 & 227-4635.

CARPENTRY — HOME maintenance service, free estimates. Ed Taylor, 442-2232 after 5 p.m.

### CEILINGS

SPANISH TEXTURED CEILINGS — swirled and stucco. 8x10, \$39.00. Insured — ALSO, Remodeling-General Contractor, Bathrooms, tile work, Painting, Guaranteed free estimates. 663-7283.

### CHIMNEY WORK

CHIMNEYS Repaired — Painted, plastered, rebuilt, new. Best prices in town. 28 years experience. Free estimates. Check our reputation. DiNapoli Bros. CALL ANYTIME. 225-7681 & 227-4635.

### CLEANING

**M & M**  
CARPET CLEANERS  
COMMERCIAL—RESIDENTIAL  
WIDESPREAD  
24-HR. SERVICE  
Free Estimates  
254-5673

### DOG GROOMING

**ELEANOR'S**  
Pet Grooming  
Certified Pet Groomer  
All Breeds —  
Absolutely no drugs  
nor restraints

145 Dunn St.  
(west of Hudson)  
near Keeler X-way 266-2788

### DRESSMAKING

FUR COAT, Gowns, Knits, etc., Custom Made fashions. JULIE'S, 254-8737.

### ELECTRICAL

MASTER ELECTRICIAN: Neat, courteous service, reasonable rates. RICHARD CATALFO, 586-7401.

ELECTRICAL INSTALLATIONS: large or small. Free estimates. Licensed. 865-1019.

### HAAK ELECTRIC CO.

Master Electricians  
Res. - Comm. - Indus.  
No Job Too Large, Too Small  
FREE ESTIMATES

Call Bob or Steve Haak 467-5144  
Eves Since 1960

### ENTERTAINMENT

THE SOPHISTICATES music for all occasions under the direction of Sammy Profeta — 288-3030, 288-6372.

FROM ROCK to Bach — Miller to Manilow — for everyone. George Manning Orchestra. 467-6749.

BOBBY LANE ORCHESTRA — GREAT music for dancing — with vocals. 467-7347.

FREDDY BECK ORCHESTRA, finest music, weddings, parties, dances. 247-6328.

### FLORIST

FRESH & DRIED FLOWERS. Weddings & wedding favors. Creations by Joyce Venniro — THE ROSE PETAL. ER "The Smallest Florist with the Smallest Prices." 482-2391.

### FUNERAL DIRECTOR

**Luciano**  
Funeral Home, Inc.  
Hector Luciano  
Funeral Director

941 N. Clinton Ave. 342-0551

### FURNITURE & REPAIRING

TREASURED CHAIRS expertly caned, rushed or splinted. Fast — reasonable service. 265-1927.

FURNITURE MADE to Your Order. All Types Woods. (after 5 p.m.) 586-3503.

### HEATING

**JIM PARIS**  
HEATING — COOLING  
Winterize Your Furnace  
Now is the time to get that furnace cleaned and checked for safe operation this winter. Call Today!

24 Hour Service Residential Commercial Industrial  
254-3574

### HELP WANTED

SALES — NO investment. Sarah Conventry Jewelry, 227-0513.

HOUSEWIVES — PERFECT opportunity to add second paycheck to family income. Choose own hours. No collecting or delivering. Earn high commission. Trips and many extras. Complete training program. COPPER CRAFT GUILD — 426-2305.

TECHNICIAN TO service C.B., stereos, Hi-Fi, tape decks — part-time. Call 467-1017.

### HOME REMODEL

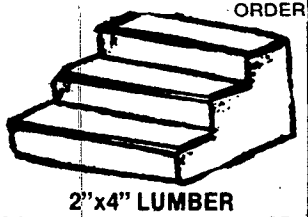
ODD Jobs: Storm windows remove, washing walls, floor waxing, cleaning gutters, etc. 436-4421.

REMODELING, paneling, doors, windows, sun decks, porch enclosures, additions, interior finishing. Free estimates. Reasonable prices. ROMAN WALLACE — 872-1205.

**ALL TYPES**  
HOME REPAIRS  
AND REMODELING  
No Job Too Small  
F.C.L.  
Remodeling  
482-7186

### WOODEN PORCH STEPS

MADE TO ORDER



2"x4" LUMBER  
8 ft. lengths ..... 85¢

**GIORDANO**  
200 Clifford Ave. 342-4050

### LAWN & GARDEN SUPPLIES

GOLD IN YOUR GARAGE: snowblowers or lawnmowers, working or repairable. Taken on consignment. No need for you to advertise, take calls, stay home or demonstrate. Pittsford Moped & Mower Service, Inc., 20 State St., Pittsford, 586-8693.

SNOWBLOWERS — new & used. Pittsford Moped & Mower Service, Inc., 50 State St., Pittsford, 586-8693.

### MASON WORK

MASON Work — Patios, brick steps, chimneys, sidewalks, garage floors, planters, additions. Compare our prices. 28 years experience. Free estimates. Check our reputation. DiNapoli Bros. Call Anytime. 225-7681 & 227-4635.

ADDITIONS—STEPS, Patios, Fireplace chimneys repaired. 40 years experience. Insured. 266-1491 or 225-4699.

### MOVING & HAULING

LIGHT HAULING — old appliances removed; no charge. JOE, 235-3248.

K-D MOVING & STORAGE & PACKING. Appliances & Household. Hourly rates. Free estimates. 328-7730.

ZACK'S LIGHT moving, hauling. Reasonable rates. Free estimates. 454-1855.

LIGHT HAULING — city-wide. Insured, reliable. WAYNE, 544-4711.

### NURSES

Do you or a Loved One Need HOME CARE?

Let us provide you with nurses, aides, homemakers companions or live-ins. Our personnel are insured, bonded and pre-screened. Available 24 Hr. 7 day Nursing Service

**UNLIMITED CARE, INC.**  
58 Chestnut Plaza — 232-5581

### PAINTING & PAPERHANGING

PAINTING & PAPERHANGING. Textured swirl ceilings. Free estimates. Quality work. Dan Burgmaster, 663-0627.

PAINTING, Paperhanging, Excellent workmanship. Senior Citizen Discount. RAY WEBER, 342-9066.

PAINTING, INTERIOR & exterior. Done by full-time experienced painter at reasonable rates. For free estimates call 225-7681 or 227-4635.

PAINTING-PAPERHANGING, 35 YEARS EXPERIENCE, REASONABLE RATES, 1393 Main St. East, 288-4945.

### PHOTOGRAPHY

SPECIALIST in Weddings. MARY S. McCARTHY, Photographer. 342-3842.

### PLUMBING

A-1 PLUMBING & HEATING Co. Complete Remodeling & Repairs. Quality, Honesty, Sincerity. 271-7640.

PLUMBING REPAIRS, 25 years experience. Carl — 671-1810.

PLUMBING — HEATING Repairs — remodeling, 24 hr. emergency service. SENIOR CITIZEN DISCOUNT. R&R Plumbing, 235-0010.

### PLUMBING SUPPLIES

**DISCOUNT PRICES**  
On Top Quality Items to all... Your Name It Ferraro's has it.

SERVICE AND INSTALLATION AVAILABLE  
WATER HEATER SPECIALISTS

FREE Consultation On All Your Plumbing Problems  
Call 232-2090

**FERRARO'S**  
226 Smith St.,  
near Lake & State at Busch Bridge  
DAILY 7:30 AM to 6 PM SAT TELL 5 PM

### RADIO-TV

SERVICING... TV-Stereo-Transistor: Foreign and U.S. Free estimates. "COMMERCIAL" 288-2371.

**GALA**  
TV Service  
• Black & White  
• Color Service

• Used Color Sets  
• Antennas Installed

254-3075  
1042 Dewey Avenue

### REAL ESTATE

FOR ACTION buying or selling, call Marge or Ed Blodgett, specializing Tenth Ward, Greece, Gates, Chili. BRENNIA AGENCY, STONE RIDGE PLAZA. 865-3470 or 254-1367.

### ROOFING

ROOFING — Emergency repairs, insurance claims, new roof, high quality materials. Gutters, chimneys. 28 years experience. Free estimates. Check our reputation. DiNapoli Bros. Call Anytime. 225-7681 & 227-4635.

ROOFING, SIDING and Aluminum trim. New, repairs, insurance cases, replace missing singles, repair leaks. Prompt service — Expert applicator. INSURED. 286-4747 or 328-2627.

### SPECIAL MISCELLANEOUS

KRAZIEST FLEA MARKET in Town! Main and Goodman, Rochester, Sat. & Sun., 10-5. 288-3296.

DON'T THROW IT AWAY. SELL IT! We'll buy your accumulations or manage your household sale. Nancy Flaherty, 533-1746

**LIST YOUR HOME WITH US**  
We can sell Your House We Guarantee It!

**PETRANTO REALTORS Inc.**  
467-8200

### TILE & CERAMIC

CERAMIC TILE INSTALLATION — Bathrooms, Kitchens, Regrouting Repairs. Walls, Floors. 27 yrs. exp: Free Estimates. DAN HERTWECK, 342-6067, 482-1287.

CERAMIC TILE MAN — bathrooms & kitchen remodeling. Fully insured. 342-9370.

FREE ESTIMATES — ceramic tile bathrooms and kitchens. Formica work. Slate, Stucco. Interior and exterior walls. ANGELO COPPETA — 352-4220.

### TRAINS-MODEL

LIONEL electric trains, full line. Sales, service. Bi-centennial state cars in stock. KANZLER'S, 426-1197.

### WANTED TO BUY

ELECTRIC TRAINS — All kinds. Catalogs. Cast iron toys — also trade. 342-2608.

FAMILY CLOTHING — new & used. On consignment, all sizes. Connie's Wear House, 1690 St. Paul St., 544-3331 after 1 p.m.

ORIENTAL RUGS — any size, any condition. Cash, call PEGGY, 865-1053.

COLLECTOR WILL pay CASH for political buttons. Call 381-8161.

**WANTED!**  
OLD COINS, OLD STAMPS  
Free Appraisals  
Bauer Coins  
Anru Philatelics  
337 E. Main St. Cor. Stillson  
546-2763

**WANTED**  
Fur Coats  
Jackets - Capes  
Any Age — Good Condition  
CALL — 544-3331  
CONNIE Daily — 1-6 pm  
(except Mondays)

Hey diddle diddle,  
Ms. Katz had a fiddle  
She thought thinking  
Lessons she'd take.  
But the sound drove her mad  
When her playing was bad  
And her neighbors cried  
"Give us a break!"  
So she called  
Classified speedily  
Knowing no Isaac Stern  
Would she be.  
What a load off her chest  
When a gypsy's request  
Came — She sold it  
And lived happily.



**CALL**  
**COURIER**  
**CLASSIFIED**  
**454-7050**

### Subscriber Special

**\$1.50 for a 10 WORD WANT AD**  
Only with this Coupon  
PAYMENT MUST ACCOMPANY YOUR ORDER  
10¢ Each Additional Word  
PLEASE PRINT

Enclosed Find \$ \_\_\_\_\_ Please run my Want Ad for \_\_\_\_\_ Weeks

Name \_\_\_\_\_ Address \_\_\_\_\_

City \_\_\_\_\_ Zip \_\_\_\_\_ Telephone \_\_\_\_\_

MAIL TO: **COURIER JOURNAL WANT AD DEPT.**  
67 Chestnut St., Rochester, New York 14604  
MAKE CHECKS PAYABLE TO COURIER JOURNAL

### Valuable Coupon