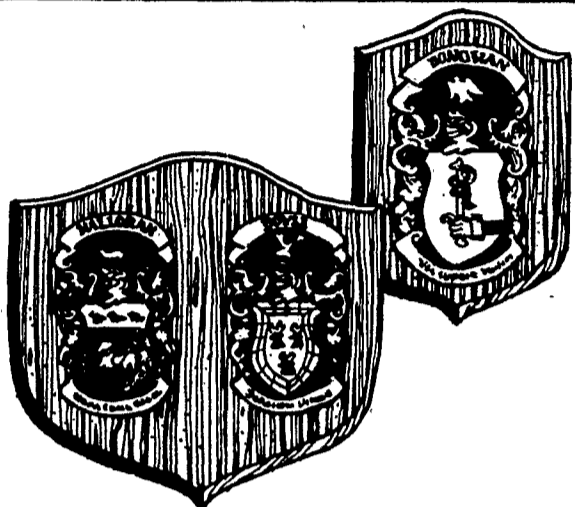
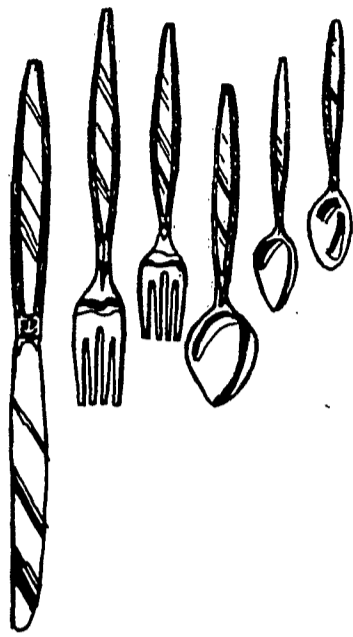


WITH THE BRIDE IN MIND

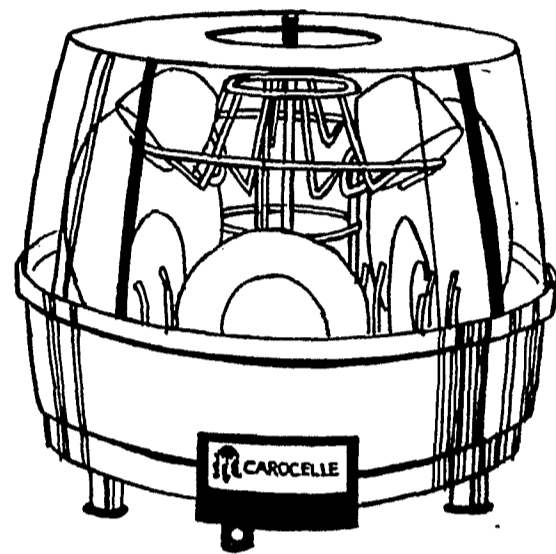


TO HAVE . . . with pride in one's lineage, the bride's and the groom's Coat of Arms on one handsome double plaque. Singles also available, \$19 to \$34. Meet Mr. Thomason from "Heraldic House". He'll be in our downtown stationery department, Thursday, Friday and Saturday to research a coat of arms for you. Sibley's Stationery, Street Floor and all suburban stores.



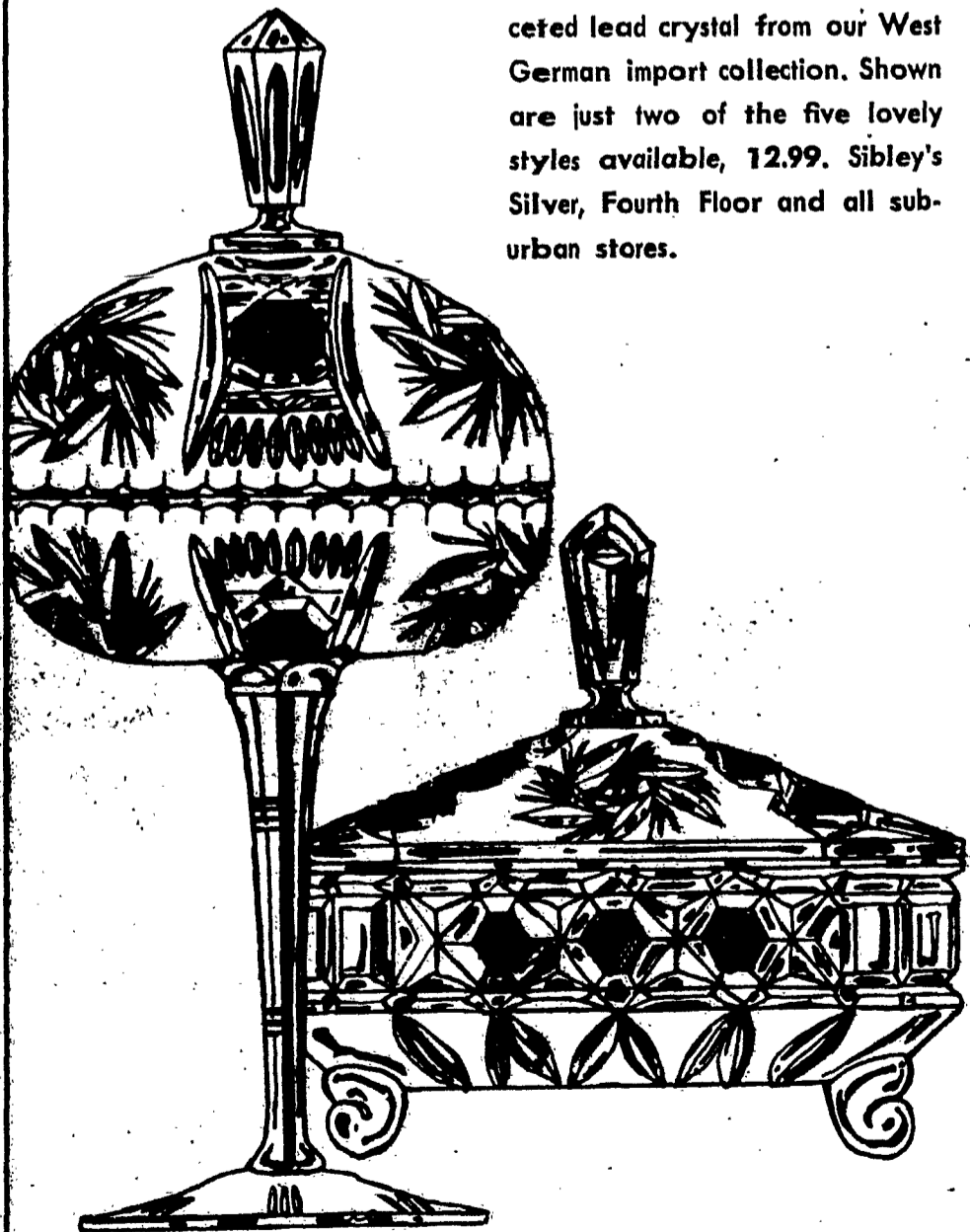
TO HOLD . . . in awe, that such beauty will remain untarnished forever and a day. Oneida's new "Venetia" pattern in stainless steel flatware never needs polishing. Six-piece setting (hollow-handle knife, fork, salad fork, soup spoon, 2 teaspoons), 8.95. Also in services for 4, 6, 8, and 12. Sibley's Housewares, Fourth Floor and all suburban stores.

TO LOVE . . . for the way it keeps her pretty hands out of dishwater, the great new portable countertop "Carocelle" dishwasher. A durable, hydraulic system draws its power from your kitchen faucet, requires no electricity; washes and rinses a full service for four. Heavy duty wire rack, see-thru plastic dome, 39.98. Sibley's Small Appliances, Fourth Floor and all suburban stores.



Sibley's

TO KEEP . . . candy fresh and decoratively at hand. Covered candy dishes in beautifully faceted lead crystal from our West German import collection. Shown are just two of the five lovely styles available, 12.99. Sibley's Silver, Fourth Floor and all suburban stores.



TO CHERISH . . . as treasured remembrances of a most meaningful day—silver for the bride and groom. Sterling handle wedding cake knife in French antique design by Reed & Barton, 11.95. Silver holloware toasting goblet set by Eisenberg-Lozano, 22.50. Sibley's Silver, Fourth Floor, Downtown.

