

# Rochester Priests' Association Chooses Board, Writes Resolutions

Election of the Coordinating Board of 15 diocesan priests, the establishment of a constitution and the formulation of resolutions marked the first plenary session of the new Priests Association of Rochester (PAR) this Wednesday.

An all day session at the Trenholm East Motel, near Victor, drew 118 priests from the roster of 230 who have indicated interest in the formation of a clerics' association. Informational committees have been structuring the association for many months aiming at this plenary gathering.

The Coordinating Board will now select a 3-man steering committee who will choose a "General Chairman" for the association's work and meetings. Elected to two-year terms on the Coordinating Board were the following: Msgr. Charles V. Boyle, Very—Rev. Joseph P. Brennan, Msgr. George A. Cocuzzi, Rev. William Donnelly, Rev. Edward J. Lintz, Rev. James S. Russell, Msgr. William H. Shannon and Rev. John G. Skvorak.

Chosen for a one-year term on the Board were the following: — Rev. Henry A. Atwell, Rev. Raymond H. Booth, Rev. L. John Hedges, Rev. Edward Kowalski, Rev. James Lawlor, Rev. William J. Schifferli and Very Rev. Raymond J. Wahl.

The total slate shows six parishes (one of whom is regional Vicar of the Bishop), six parish assistants, a seminary rector, a campus chaplain, and a college professor.

Among the principal resolutions approved by the plenary session after confirming the constitution which gave the PAR formal life were the following:

- a diocesan personnel board should be set to determine priests' appointments by merit;
- a diocesan board of appeals for priests to petition in grievances should be established;
- permission should be granted establishing centers for liturgical experimentation;
- priests should be encouraged to pursue university studies leading to degrees in theology and related subjects;
- priest and people immediately concerned should be given opportunity for full discussion before sale or gift of parish or diocesan property;
- diocesan priests support Bishop Sheen in his appointment of 12 representatives to an Interfaith Commission considering Rochester inner-city problems.
- PAR should join the national federation of priests' associations and send delegates to its May convention in Chicago.

# Sears

Your Dollars Go Further at Sears

## Craftsman Riding Lawn Mowers Get You to the Fun Faster



# SAVE \$100

**Our Strongest Guarantee Ever!**  
**Craftsman Lawn Mower 1-Year Guarantee**

This Craftsman product is guaranteed as follows for one (1) full year from date of sale: If repairs or repair parts are required for proper performance, they will be furnished at no cost whatsoever. Normal maintenance tuneups, sharpening of blades, cleaning and failures which are a result of abuse are not included under this coverage. Riding mower with battery—If battery proves defective and will not hold a charge, in exchange for the battery we will (during first 90 days) replace battery at no charge; (after 90 days) replace battery, charging customer 1/12th of the price of the new battery for each full month from date of sale. Equipment used for rental or commercial purposes is guaranteed for thirty (30) days from date of sale.

**36-in. Electric-Start Riding Lawn Mower**

Lets you enjoy more fun time. Giant 36-in. cutting head and powerful 15.0-cu. in., 7-HP engine helps you finish faster. Comes completely assembled—just add gas and oil, turn the key and mow! Oversized tires won't tear up your lawn, make turning easy. Cushioned seat, back rest, running board and easy-to-reach controls make mowing a pleasure. Head lights and tail lights let you mow any time of the day. Now at Sears!

Regular \$599.50

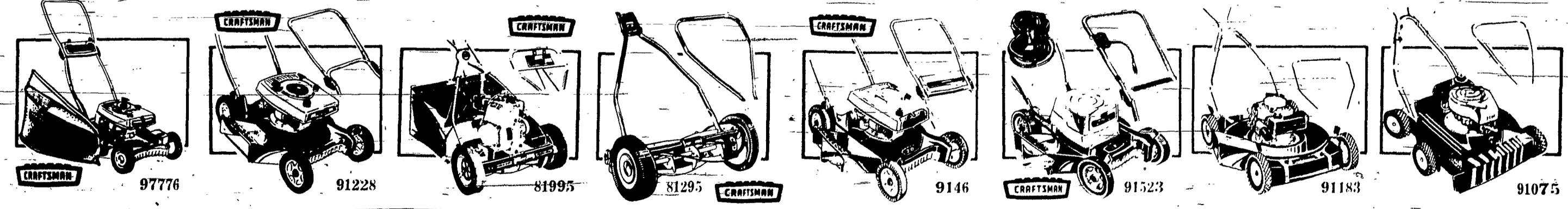
# 499<sup>50</sup>

**Craftsman 36-in. Recoil-Start Riders** have compression release for faster, easier starts. With padded seat and running board for comfort. Comes completely assembled, too!

Regular \$199.50  
**399<sup>50</sup>**

\* Sears 5 Stores

### Shop Sears For Lawn and Yard Care Values



<p><b>22-in. Self-Propelled Rotary with Catcher</b></p> <p>Sears Price <b>169.95</b></p> <p>Push-button hydraulic fuel primer for faster starts. 10.5-cu. in., 4-HP engine. Catcher.</p> <p><small>* Sears 5 Stores</small></p>	<p><b>Craftsman 20-inch Aluminum Mowers</b></p> <p>Sears Price <b>84.99</b></p> <p>Aluminum housing for easier pushing. 9.0-cu. in., 3.5-HP engine, easy pull-up starter.</p> <p><small>* Sears 5 Stores</small></p>	<p><b>Craftsman 21-inch Power Reel Mowers</b></p> <p>Sears Price <b>129.95</b></p> <p>Don't push, just guide. 7.75-cu. in., 3-HP engine starts fast. Automatic cam release.</p> <p><small>* Sears 5 Stores</small></p>	<p><b>16-in. Creeping Bent Hand Mowers</b></p> <p>Sears Price <b>39.99</b></p> <p>7-blade reel for creeping bent. Blades come close to knife, but don't touch. Easy push.</p> <p><small>* Sears 5 Stores</small></p>	<p><b>Craftsman 20-inch Rotary Mowers</b></p> <p>Sears Price <b>92.99</b></p> <p>Pull-up starter for fast, easy starts. Lightweight magnesium housing is easy to push.</p> <p><small>* Sears 5 Stores</small></p>	<p><b>Craftsman 18-inch Electric Mowers</b></p> <p>Sears Price <b>99.99</b></p> <p>Just plug in. Flip switch and mow. Strong magnesium housing. 100-ft., 3-wire cord.</p> <p><small>* Sears 5 Stores</small></p>	<p><b>Sears 20-inch Rotary Mowers</b></p> <p>Sears Price <b>64.99</b></p> <p>9.0-cu. in., 3.5-HP engine has speed control plus fast recoil starter. With leaf mulcher.</p> <p><small>* Sears 5 Stores</small></p>	<p><b>Sears 20-inch Rotary Mower</b></p> <p>Regular \$35.99  <b>29.99</b></p> <p>5.2-cu. in., 2.5-HP engine has easy top-pull starter. Non-snag loop handle.</p> <p><small>* Sears 5 Stores</small></p>
---	--	--	--	---	--	---	---

SHOP AT SEARS AND SAVE

Satisfaction Guaranteed or Your Money Back

**Sears**  
 SEARS, ROEBUCK & CO.

<p>Monroe Ave. at South Union          TELEPHONE: 325-7000          Open Every Night 'til 9 P.M.</p>	<p>Ridge Rd. W. near Dewey          TELEPHONE: 865-7070          Open Every Night 'til 9 P.M.</p>	<p>Southtown Plaza, Jefferson Rd.          TELEPHONE: 211-2350          Open Every Night 'til 9 P.M.</p>	<p>Country Club Plaza, E. Rochester          TELEPHONE: 586-9080          Open Monday through Friday 9 A.M. to 9 P.M.          Open Saturday 9 A.M. to 6 P.M.</p>	<p>Brockport Plaza, Lake Rd.          TELEPHONE: 637-6841          Open Monday through Friday 9 A.M. to 9 P.M.          Open Saturday 9 A.M. to 6 P.M.</p>
--	---	--	---	--